

Coaxial-to-Ethernet Conversion Kit

KB-M3-01L **MoCA 2.5 Adapter**

Model#KB-M3-01L

User Guide

Table of Contents

Table of Contents	1
Getting Started	1
<i>Introduction</i>	<i>1</i>
<i>Package Contents</i>	<i>2</i>
<i>Requirements</i>	<i>2</i>
<i>Features</i>	<i>2</i>
Connecting the Adapters	3
<i>Connecting the First Adapter</i>	<i>3</i>
<i>Connecting Additional Adapters</i>	<i>7</i>
<i>Web Management</i>	<i>10</i>
<i>Specifications</i>	<i>11</i>
Notices	13
<i>Warranty</i>	<i>13</i>
<i>Important Safety Instructions</i>	<i>13</i>
<i>FCC Class B Equipment</i>	<i>15</i>
<i>CE</i>	<i>16</i>
<i>Technical Support</i>	<i>17</i>

Getting Started

Introduction

Congratulations for purchasing the KB-M3-01L MoCA 2.5 Adapter. The Adapter is a simple, flexible solution for extending a home network. By leveraging the ubiquity of coaxial cabling within the modern home, the Adapter provides an Ethernet Internet port anywhere a coaxial connection is available. It also features a CATV (TV/STB Out) coaxial port to allow for existing connections at the coaxial wall port.

This user manual explains the procedures needed to connect the Adapter.



KB-M3-01L MoCA 2.5 Adapter



Package Contents

- KB-M3-01L MoCA 2.5 Adapter
- Coaxial cable
- Power adapter
- Quick Start Guide
- Ethernet cable

Requirements

- Available coaxial port in installation areas
- Available electrical wall socket in installation areas

Features

- *Ethernet* port (gigabit)
- *COM (Coax In)* coaxial port

KB-M3-01L MoCA 2.5 Adapter

- CATV (TV/STB Out) coaxial port
- Power ,Coax and Ethernet LEDs:
 - *Power LED: glows solid green when Adapter is powered up.*
 - *Coax LED: glows solid green with connection on the Coax port.*
 - *Ethernet LED: glows green on connection; blinks when data is transferred across port.*

Connecting the Adapters

Connecting the Adapter is a relatively simple process. First, connect one Adapter to the TV or set-top box, the broadband modem or router, and the coaxial network to establish the Internet signal. Then, additional Adapters can be installed throughout the home or office at any location Ethernet Internet access is needed, and an available coaxial port is available.

Connecting the First Adapter

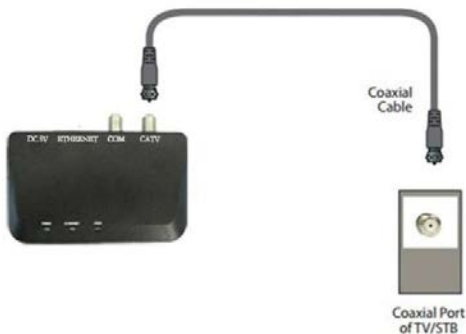
The first Adapter must be connected to the TV or set-top box, the broad band modem or router, and the coaxial network. This Adapter takes the Internet signal from the modem/router and delivers it to the coaxial network, while keeping the TV/set-top box

KB-M3-01L MoCA 2.5 Adapter

connected.

To connect the first Adapter:

1. Remove the end of the coaxial cable connected to the TV or set-top box from its coaxial wall port.
2. Connect the end of the coaxial cable removed in step 1 to the *CATV* coaxial port on the side of the Adapter

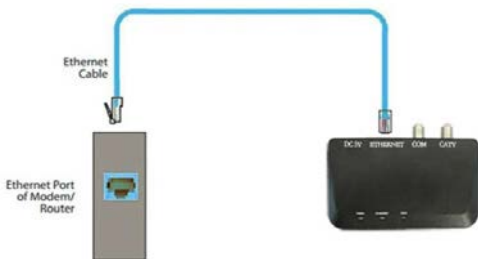


3. Connect another coaxial cable into the coaxial wall port left unconnected in step 1.
4. Connect the other end of the coaxial cable installed in step 3 to the *COM* coaxial port on the side of the Adapter

KB-M3-01L MoCA 2.5 Adapter



5. Connect one end of an Ethernet cable into the Ethernet port of the modem/router.

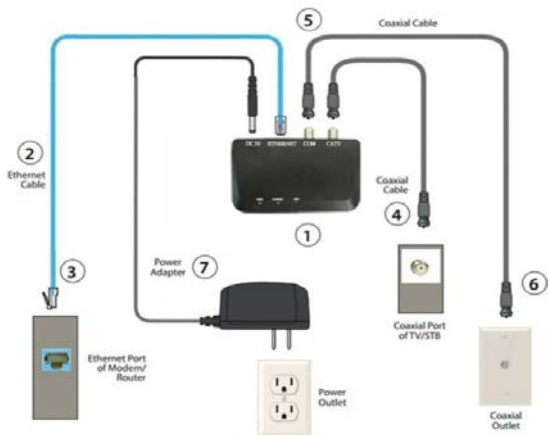


6. Connect the other end of the Ethernet cable into the *Ethernet* port on the side of the Adapter.
7. Plug the provided power adapter into the *Power* port on the side of the Adapter.
8. Plug the other end of the power adapter (external, 12VDC, 0.5A) into an electrical outlet.

KB-M3-01L MoCA 2.5 Adapter



When complete, the setup should look similar to the figure below:



Note: Circled numerals correspond to installation step numbers.

The Internet signal is now being delivered across the coaxial network.

Connecting Additional Adapters

If necessary, additional Adapter can be placed at locations around the home or office that need an Ethernet Internet connection, but currently only have a coaxial port.

To connect additional Adapters:

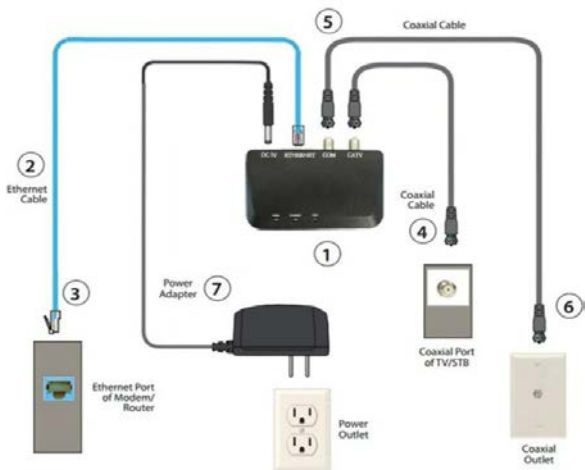
1. Find a coaxial wall port near the desired location and unplug the coaxial cable connected to the TV or set-top box. If no device is plugged into this coaxial wall port, skip to step 3.
2. Connect the end of the coaxial cable removed in step 1 to the CATV coaxial port on the side of the Adapter.
3. Connect a coaxial cable into the coaxial wall port indicated in step 1.
4. Connect the other end of the coaxial cable installed in step 3 to the COM port on the side of the Adapter.
5. Connect one end of an Ethernet cable into the Ethernet port of the device to connect to the Internet.

KB-M3-01L MoCA 2.5 Adapter

6. Connect the other end of the Ethernet cable into the Ethernet port on the side of the Adapter.
7. Plug the provided power adapter into the Power port on the side of the Adapter.
8. Plug the other end of the power adapter (external, 12VDC, 0.5A) into an electrical outlet.
9. Make sure the Power, Ethernet and Coax lights are solid green.

When complete, the setup should look similar to the figure below:

KB-M3-01L MoCA 2.5 Adapter



Note: Circled numerals correspond to installation step numbers.

The device connected to the *Ethernet* port is now connected to the Internet via the coaxial network. Repeat this process to install additional Adapters through out the home.

Web Management

Each adapter has a web interface for management. You can visit the website to inquire, manage and upgrade.

The default IP address of the adapter is 192.168.144.200. To connect to a given adapter, make sure the IP address of your computer is 192.168.144.x (1-254 except 200) and connect provided Ethernet cable between your computer and LAN port of the adapter.

Enter <http://192.168.144.200> into your web browser direction setting. You can login from a web page and set some configurations such as frequency range modification, transmission rate option, IP address configuration, Ethernet information.

Default connection values are:

IP address	192.168.144.200
Login	admin
Password	maxlinear

Specifications

Model Number

KB-M3-01L

IP

LAN MoCA (v. 2.5; up to 2.5 Gbps throughput)

LAN Ethernet Port 10/100/1000 (1)

LAN Connections

COM Frequency Range - Extended D-band:

1125MHz~1675MHz; Full Port Range:

5MHz~2150MHz

CATV Frequency Range - 5MHz~1002MHz

LED Indicators

POWER, COAX, ETHERNET

Power

External, 12VDC, 0.5A, 1.3 mm diameter connector plug

Regulatory

FCC, CE, UL,

Environmental

Ambient temperature - 0°C to 40°C (32°F to

104°F) **Storage temperature** -- 20°C to 85°C (-

4°F to 185°F) **Operating humidity** - 10% to 85%

non-condensing

Storage humidity - 5% to 90% non-condensing

Note: Specifications are subject to change without notice

Notices

Warranty

This product has a one-year Limited Hardware Warranty and 120-day free software updates from date of purchase.

Local Law

This Limited Warranty Statement gives the customer specific legal rights. The customer may also have other rights which vary from state to state in the United States, from province to province in Canada, and from country to country elsewhere in the world.

To the extent that this Limited Warranty Statement is inconsistent with local law, this Statement shall be deemed modified to be consistent with such local law.

Under such local law, certain disclaimers and limitations of this Warranty Statement may not apply to the customer.

Important Safety Instructions

Basic safety precautions should always be followed to reduce the risk of fire, electrical

KB-M3-01L MoCA 2.5 Adapter

shock, and personal injury, including the following:

- Do not use this product near water—for example, near a bathtub, kitchen sink, laundry tub, or swimming pool, or in a wet basement; only clean with dry cloth.
- Do not block any ventilation openings. Install in accordance with the manufacturer's instructions. Do not install near any heat sources such as radiators, heat registers, stoves, or other apparatus including amplifiers that produce heat.
- Do not use the telephone to report a gas leak in the vicinity of the leak.
- Use only the power cord and batteries indicated in this manual if applicable. Note: you may need to reword for batteries or adapters.
- Do not dispose of batteries in fire, as they may explode – check with local codes for possible special disposal instructions if applicable.

Coaxial Cable

If applicable, the coaxial cable screen shield needs to be connected to the Earth at the

building entrance per ANSI/NFPA70, the National Electrical Code (NEC), in particular Section 820.93, “Grounding of Outer Conductive Shield of a Coaxial Cable,” or in accordance with local regulation.

FCC Class B Equipment

This equipment has been tested and found to comply with the limits for a Class B digital device, pursuant to Part 15 of the FCC Rules. These limits are designed to provide reasonable protection against harmful interference in a residential installation. This equipment generates, uses and can radiate radio frequency energy and, if not installed and used in accordance with the instructions, may cause harmful interference to radio communications. However, there is no guarantee that interference will not occur in a particular installation. If this equipment does cause harmful interference to radio or television reception, which can be determined by turning the equipment off and on, the user is encouraged to try and correct the interference by implementing one or more of the following measures:

- Reorient or relocate the device;
- Increase the separation between the

KB-M3-01L MoCA 2.5 Adapter

equipment and receiver;

- Connect the equipment to an outlet on a circuit different from that to which the receiver is connected (applicable only to power line products);
- Consult the dealer or an experience radio or television technician for help.

Declaration of Conformity for Products Marked with the FCC logo—USA Only

This device complies with Part 15 of the FCC Rules license-exempt RSS standard(s). Operation is subject to the following two conditions:

1. This device may not cause harmful interference;
2. This device must accept any interference received, including interference that may cause undesired operation of the device.

CE

EN 55032: Electromagnetic compatibility of multimedia equipment -Emission requirements

EN 55035: Electromagnetic compatibility of multimedia equipment - Immunity requirements

Technical Support Trouble shooting

The COAX status LED is not lit after installing 2 adapters:

This indicates that no coax network has been formed. Try the following: Confirm that the COM port on the adapter is connected to the coax outlet on the wall

Try another coax outlet in a different room to see if the adapters connect. Check to see if a cable or terrestrial TV signal is available on both cable wall outlets

Check your cable junction box to make sure the rooms are connected on the same splitter

My cable modem or set-top box does not work correctly after installing the adapter:

The adapter may be incompatible with your cable device - don't use the CATV port. Use a coax splitter to go from the coax outlet to the splitter and then run separate coax cables to the cable modem/STB and another coax to the adapter.

If you are still having problems, try using a "MoCA POE (point of Entry) Filter" at the input

of the cable modem/STB, this filter blocks the MoCA signal from passing through to the device. MoCA POE Filters are available online.

**The Ethernet Device I
connected to the adapter is
not connecting to the Internet:**

Make sure that your broadband router is also connected to an Ethernet-to-Coax adapter and that the Ethernet port on that adapter is connected to the LAN PORT on the router.

I have DirecTV or DISH network:

These Ethernet-to-Coax adapters are designed for use with Cable TV or Terrestrial (rabbit ears) TV. Connect your satellite operator for adapters that are compatible with your TV system.

**For product support, and more
information :**

kiwee_broadband@outlook.com